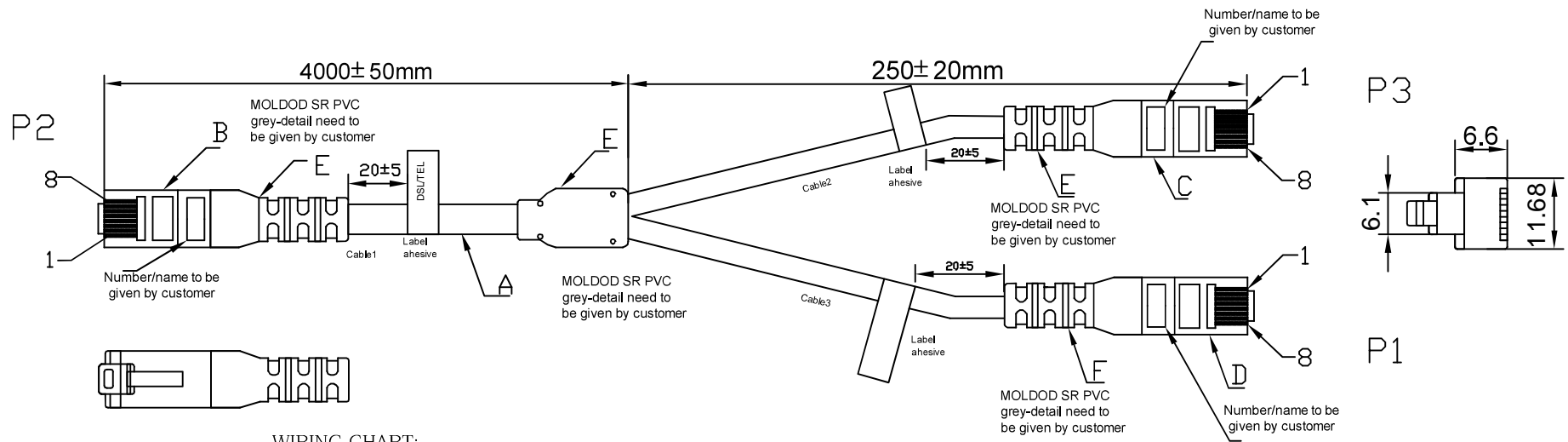
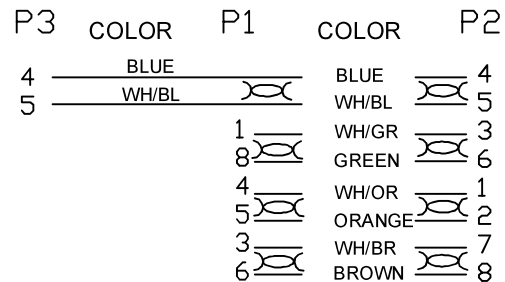


REV.	CONTENTS	DATE	REMARK
A/0			



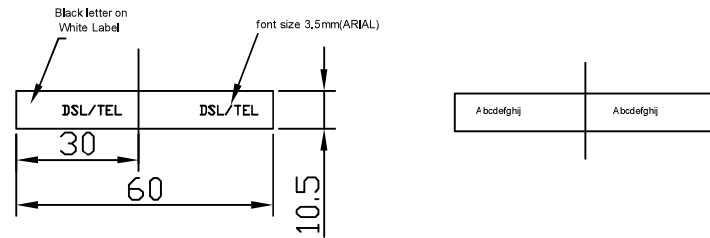
WIRING CHART:



NOTE: ⊗ TWISTED PAIR

EIA/TIA 568B

LABEL;



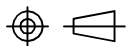
- NOTE: 1.Number/name to be given by customer,embedded.
 2.All material conform to ROHS compliant
 3.Conduction resistance;10 Ω(MAX);
 4.Insulation resistance;20M(MIN)
 5. Hi-pot Test;250V /DC

ITEM	PARTNAME	SPECIFICATION
F	PVC	MOLDDOD SR PVC BLACK(RAL9005)
E	PVC	MOLDDOD SR PVC GREY(RAL7035)
D	PLUG	MODULAR PLUG 8P2C 3U ^W
C	PLUG	MODULAR PLUG 8P6C 3U ^W
B	PLUG	MODULAR PLUG 8P8C 3U ^W
A	CABLE	24AWG 11/0.16mm ROUND CABLE JACKET;PVC COLOR;RAL 7035

TOLERANCE	TITLE:	DRAWING NO.:	REV.:	DWN
.000 ±0.15	TAE F PLUG TO 8P2C PLUG		A/0	
.00 ±0.35	CUST ID:	P/N:	SHEET:	CHK
.0 ±0.5			1 of 1	
ANGLE ±3°	CUST P/N:	MOLDED NO.:	DATE:	APP
	303-080-4500-SJ1-YCCBL-SJ2-SJ3-01		2009.09.20	

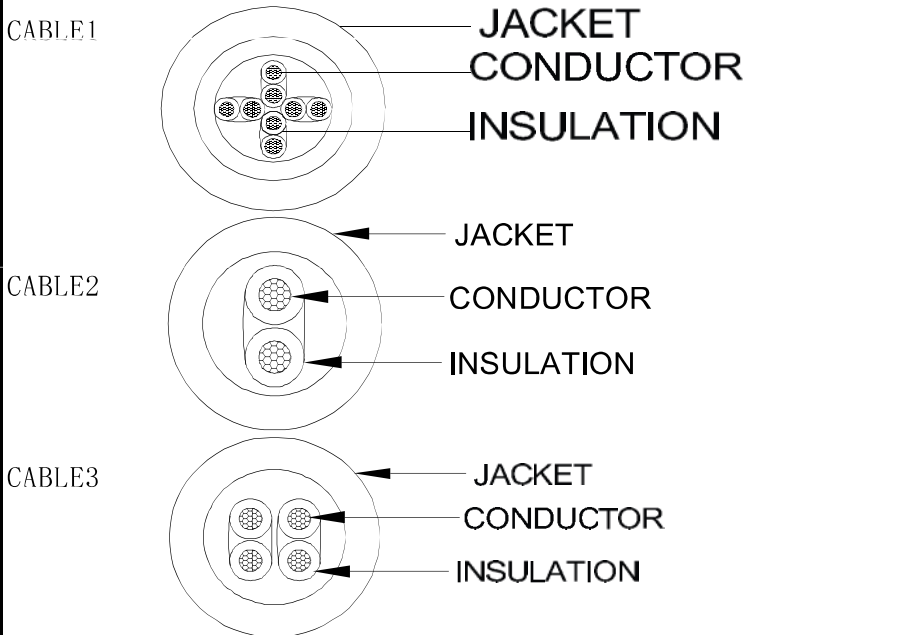
SCALE: N/A

UNIT: mm



ANGLE ±3°

CABLE SPECIFICATION

ITEM	SPEC	24AWG/4PR			
CONDUCTOR	MATERIAL	COPPER(BC)	CABLE SECTION: 		
	CONSTRUCTION	11/0.16*4PR			
	TWIST	S ≤ 15			
INSULATION	MATERIAL	HDPE			
	OD	0.95±0.02mm			
	COLOR	①WHT/ORG*ORG19	~ 20mm	CABLE2	
		②WHT/GRN*GRN15	~ 16mm		
		③WHT/BRN*BRN26	~ 27mm		
④WHT/BLUE*BLUE16		~ 17mm	CABLE3		
TWIST	100 ~ 110mm				
JACKET	MATERIAL	GREY(RAL7035)PVC			
	OD	5.0±0.15mm			
	PRINT	(UL) E228252 TYPE CM 75°C24AWG 4PR UTPC(UL) E228252 CMR 75°CETL VERIFIED TIA/EIA 568B.2 CAT.5e MADE IN CHINA 8825M			

REMARK:

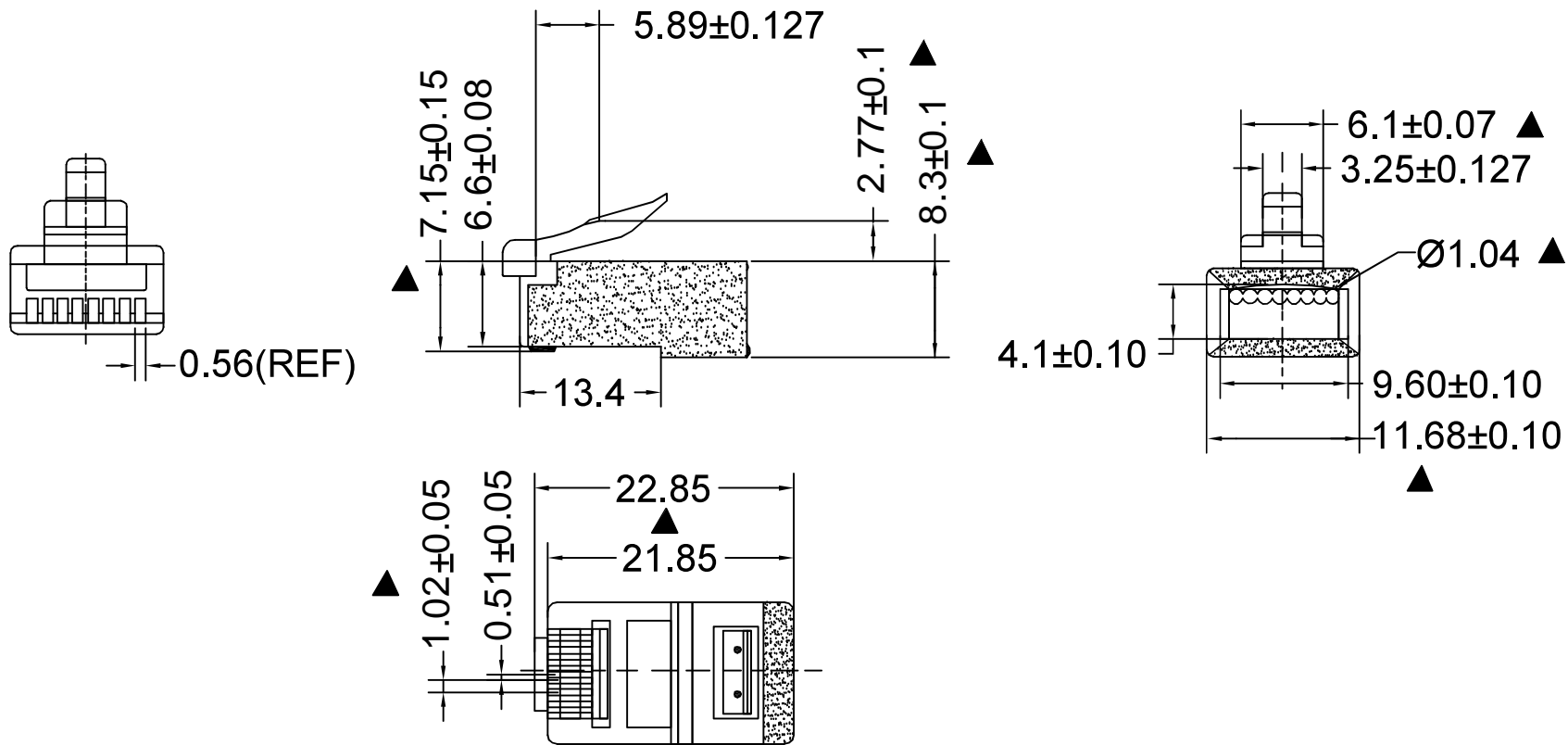
APR: Moon

CHECK:

DWN:

SPEC NO.		PART NO.	
UL FILE NO.		UL STYLE	NON-STANDARD
CSA FILE NO.		CSA STYLE	A

Electric characters	
1. Voltage rating	30V
2. Temperature rating	60°C
3. Spark test	2500V/0.15sec
4. Dielectric strength	AC-500V/MIN
5. Insulation resistance	100M OHMS/KM MIN at 20°C
6. Conductor resistance	149.98 OHMS/KM MAX at 20°C
Physical characters	
1. Tensile strength before aging	①. Jacket: >1.05kg/mm ² ②. Insulation: >1.05kg/mm ²
2. Tensile strength after aging	①. Jacket: >70% ②. Insulation: >70%
3. Elongation before aging	①. Jacket: >100% ②. Insulation: >150%
4. Elongation after aging	①. Jacket: >65% ②. Insulation: >70%



MATERIAL:

HOUSING:PC. UL94V-2 UL94V-0
 CONTACT:COPPER ALLOY GOLD PLATED

ORDERING INFORMATION:

a.number of position(8P)
 c.gold plating(03, 06, 15, 30, 50)U"

TITLE	8P8C PLUG			UNIT	MM
APPD		CHECK		DRA	
DATE	07-10-31	F.NO.	T-88TR	REV	B