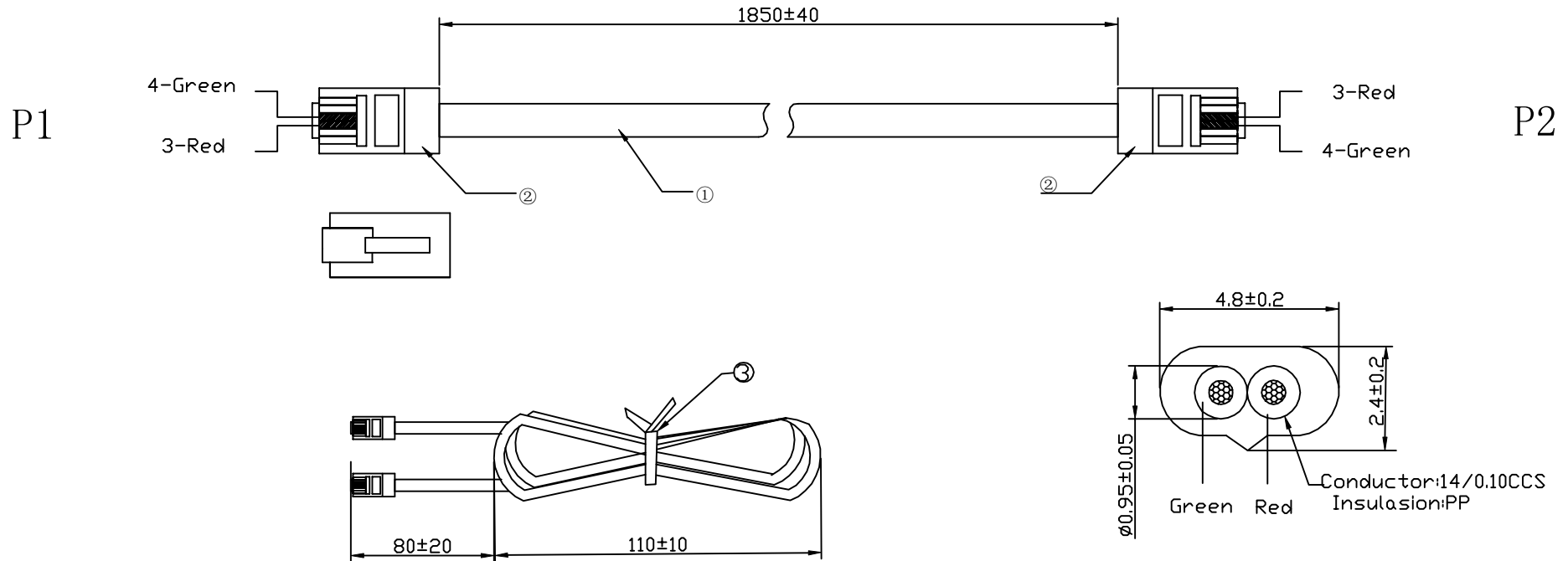


REACH COMPLIANT

REV	DESCRIPTION	DATE	ECNNO.



Remarks:

- Cable: Telephone Cable  
14/0.10CCSX0.95X2C±0.05X2C (PP Green Red) ] X2. 4X4. 8±0.2  
Grey matt , L=1850±15mm
- Test requirement:
  - 100% OPEN SHORT & MISWIRE TEST.
  - CONDUCTIVE RESISTANCE: 5Ω /MAX.
  - INSULATION RESISTANCE: 10M Ω /MIN. AT DC 300V.

3	Tie	L=115mm, Black PE tie
2	Connector	6P2C Transparent modular plug (3PIN, 4PIN, Gold Plated Contacts 30U")
1	Cable	See remarks

APPROVED	CHECKED	DRAWN	CUSTOMER	SCALE	UNIT	mm
		Wangjing	DRAW NO. WS-QMD-003	SCALE	UNIT	mm
		2010-10-21	PART/NO. 303051bC282CF1850GYb	SCALE	UNIT	mm

NO.	PARTNAME	DESCRIPTION	REMARK
-----	----------	-------------	--------

FrelTec GmbH