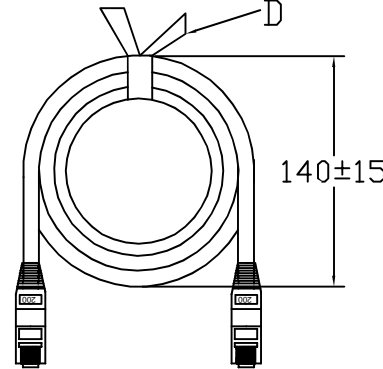
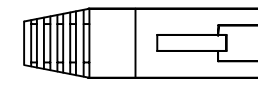
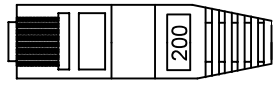
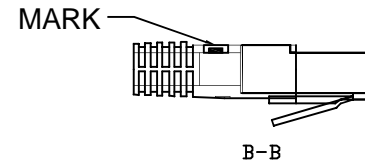
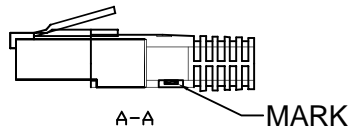
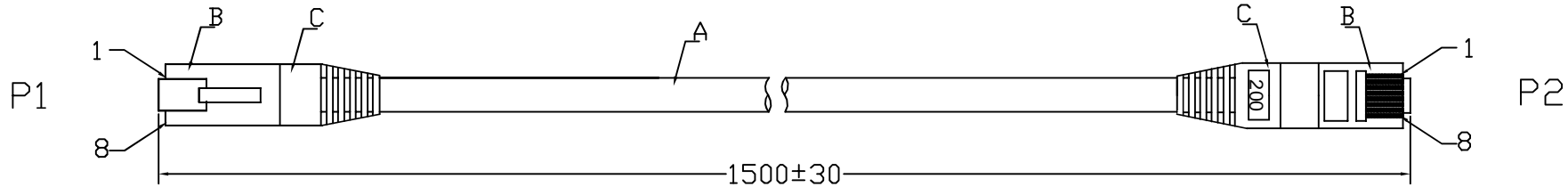


REV.	CONTENTS	DATE	REMARK
A/0	NEW	2009.07.03	Y090703-281



WIRING CHART:

P1	P2	COLOR
1	1	WHITE ORANGE
2	2	ORANGE
3	3	WHITE GREEN
6	6	BLUE
5	5	WHITE BLUE
4	4	GREEN
7	7	WHITE BROWN
8	8	BROWN
Shell	Shell	DRAIN WIRE

EIA/TIA-568B

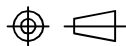
- NOTE: 1."200" injection made, embedded in the plastic
 2.All material conform to ROHS compliant
 3.Conduction resistanc; $3\ \Omega$ (MAX);
 4.Insulation resistance; $20M$ (MIN)
 5. HI-pot Test; $250V/DC$

D	MINI TIE	WHITE
C	PVC	ASSEMBLY,PANTONE 115U
B	PLUG	8P8C GOLD PLATED 3U"94V-2, SHell
A	CABLE	UL2835 24AWG/4P(Copper)+AL+D(7/0.2 Copper) F/UTP CAT.5e PVC JACKET PANTONE 115U
ITEM	PARTNAME	SPECIFICATION

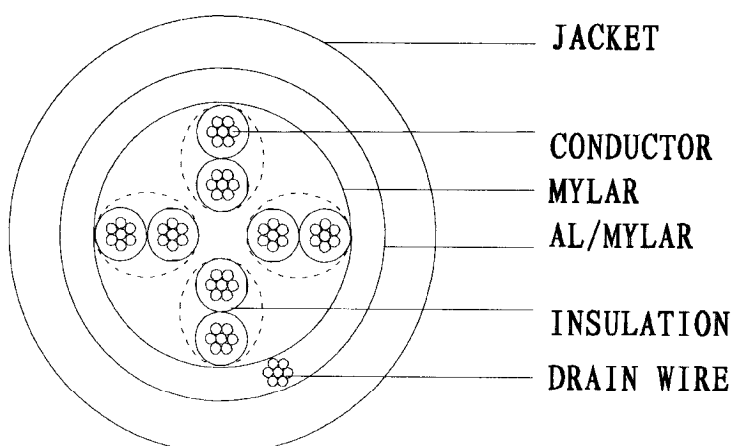
TOLERANCE .000 ±0.15 .00 ±0.35 .0 ±0.5	TITLE: 8P8C-8P8C	DRAWING NO.:	REV.:	DWN	Eric
ANGLE ±3°	CUST ID: 120	P/N:	SHEET:	CHK	MICHAEL
	CUST P/N: 303-050-1500-MP2-LCBL3-MP2-04	MOLDED NO.:	DATE:	APP	JACK

SCALE: N/A

UNIT: mm

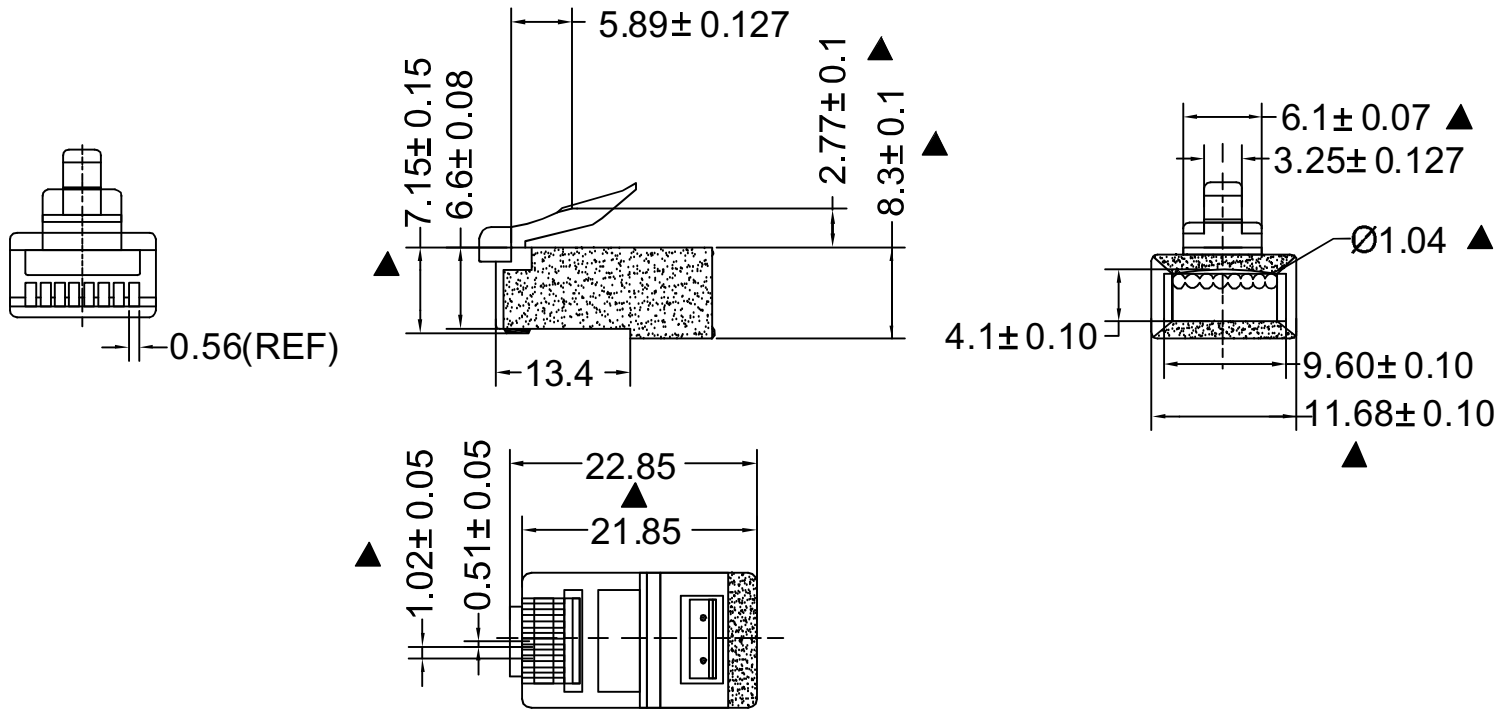


CABLE SPECIFICATION

ITEM	SPEC	UL 2835 24AWG/4PR	<div style="text-align: center;">CABLE SECTION:</div> 
CONDUCTOR	MATERIAL	BC	
	CONSTRUCTION	7/0.2 × 4PR	
	TWIST	S ≤ 15	
INSULATION	MATERIAL	HDPE	
	OD	0.95 ± 0.02mm	
	COLOR	① WHT/ORG*ORG19 ⁻ 20mm ② WHT/GRN*GRN15 ⁻ 16mm ③ WHT/BRN*BRN26 ⁻ 27mm ④ WHT/BLUE*BLUE16 ⁻ 17mm	
	TWIST	100 ⁻ 110mm	
MYLAR	CONSTRUCTION	25U*14mm	
DRAIN WIRE	CONSTRUCTION	7/0.16TS	
ALUMINUM/MYLAR	CONSTRUCTION	0.038*16mm	
JACKET	MATERIAL	YELLOW PVC	
	OD	6.0±0.15 mm	
	PRINT	UL AWM 2835 24AWG/4PR 60°C 30V E311387 C-UL AWM 24AWG/4PR II A 60°C 30V FT2 FTP ETL VERIFIED TO ANSI/TIA-568B.2 CAT.5e	
REMARK:			
APR: Moon	CHECK: Michael	DWN: Eric	

SPEC NO.		PART NO.	
UL FILE NO.		UL STYLE	NON-STANDARD
CSA FILE NO.		CSA STYLE	A

Electric characters	
1. Voltage rating	30V
2. Temperature rating	60℃
3. Spark test	2500V/0.15sec
4. Dielectric strength	AC-500V/MIN
5. Insulation resistance	100M OHMS/KM MIN at 20℃
6. Conductor resistance	149.98 OHMS/KM MAX at 20℃
Phectric characters	
1. Tensile strength before aging	①. Jacket: >1.05kg/mm ² ②. Insulation: >1.05kg/mm ²
2. Tensile strength after aging	①. Jacket: >70% ②. Insulation: >70%
3. Elongating before aging	①. Jacket: >100% ②. Insulation: >150%
4. Elongation after aging	①. Jacket: >65% ②. Insulation: >70%



MATERIAL:

HOUSING:PC. UL94V-2 UL94V-0
 CONTACT:COPPER ALLOY PLATED WETH GOLD

ORDER INFORMATION:

a. number of position(8P)
 c. gold plating(03, 06, 15, 30, 50)U"

TITLE	8P8C PLUG			UNIT	MM
APPD		CHEEK		DRA	
DATE	07-10-31	F.NO.	T-88TR	REV	B