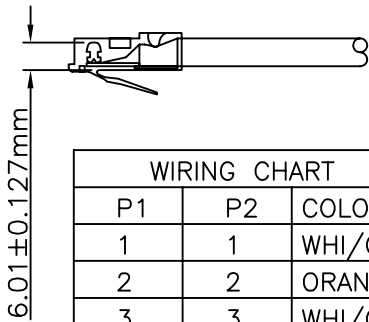
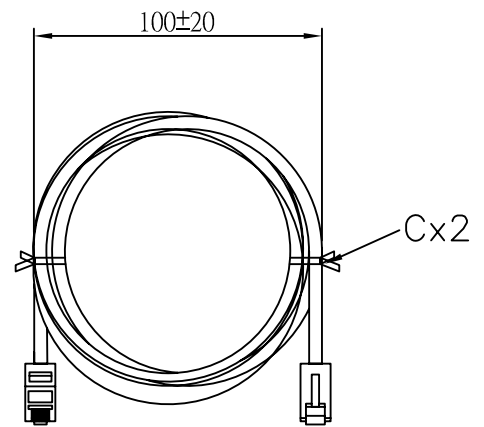


No.	SPECIFICATION	COLOR
A	UTP CAT.5e UL2835(CCAM) AWG24x4PR L=1540±5	LIGHT GREEN
B	CAT.5 8P8C, gold plated 50u"(CK88S-BV0250-T)	CLARITY
C	CABLE TIE:2.0x100mm	WHITE



WIRING CHART		
P1	P2	COLOR
1	1	WHI/ORN
2	2	ORANGE
3	3	WHI/GRN
4	4	BLUE
5	5	WHI/BLU
6	6	GREEN
7	7	WHI/BRO
8	8	BROWN



Bundle wire

NOTE:All material conform to RoHS compliant.

APPROVED BY CUSTOMER

Freltec GmbH

TITLE

8P8C+UTP CAT.5e UL2835 (CCAM)AWG24x1500mm+8P8C

PART NO.: 302-050-1500-MP1-LCBL1-MP1-01

DRAWING NO.: AL-FR-003

UNIT	RELEASE	SKETCH MAP	APPROVED BY	CHECKED BY	DRAWN BY	DATE
mm	A	(mm)	Nature	Xiang	Liza	2008-10-09