

NO.	Material name	Specifications
①	PRODUCT	Triple shielding 75ohm RG6U Coaxial cable
②	Conductor	1.13mm Pure Copper
③	Insulation	4.8mm FPE
④	AL Foil	AL Foil covered 125%, Double
⑤	Braiding	8*16*0.12mm AL Braiding
⑥	PVC	White, OD:6.9±0.2mm Halogen Free and Flame Retardant

Electrical Data

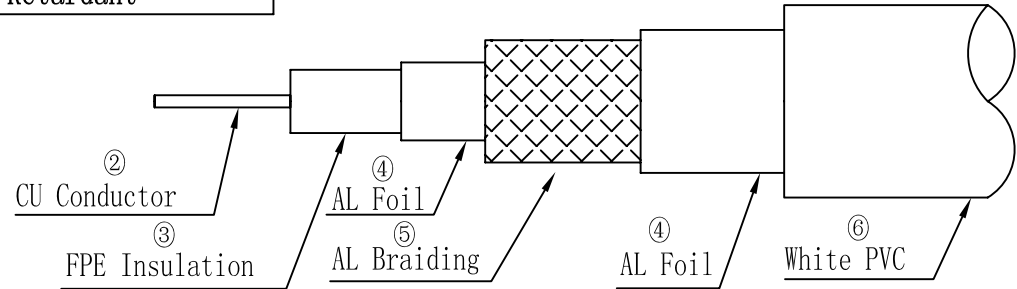
Impedance	75 Ω ±2
Operating Frequency	4 GHz
Capacitance	62 pF/m
Velocity of signal propagation	71%
Signal delay	4.7 ns/m
Insulation resistance	≥ 1 x 10 MΩm
Min. screening effectiveness	≥ 100 dB (up to 4 GHz)
Max. operating voltage	≤ 1.9 kV rms (at sea level)
Test voltage	5 kV rms (50 Hz/1 min)

Environmental Data

Temperature range	-65°C ~ +165°C
Installation temperature	-20°C ~ +60°C

Mechanical Data

Triple shielding / meter marking on cable, 0 to 100m.
 PE cable, gas-foamed dielectric for extremely low attenuation values
 Halogen Free and Flame Retardant PVC
 Fire Protection Class ECA: EN60332-1-2
 RoHS 2015 Compliant



3R0RCB48P31WH69E1DM x

100m(Roll size 29*10*8) ——— 1=100m

250m(Roll size 27*7.5*24) ——— B=250m

500m(Roll size 34*12*31) ——— A=500m

FrelTec GmbH

Description	RG6U COAX cable	Customer	
Order Code	3R0RCB48P31WH69E1DMx	REV.	A
CUSTOMER P/NO		Proportion	NO
DWG BY:	JIANG.REN	Unit	mm
CHECK BY:	LIANG.ZHUO	Projection	
APPROVAL BY:	SW.MO		

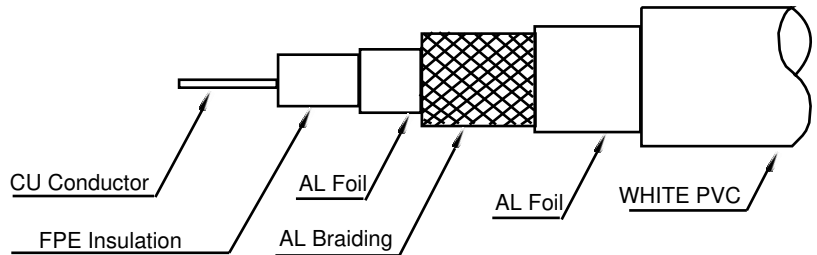
REV.	Change No.	Change content	DATE
A		FIRST REV.	2020.03.10
REV. Control			

Product Specification

RG6 STANDARD - Tripleshield

Construction

Center Conductor:	1.13±0.01mm CU
Dielectric:	4.8±0.05mm Foam PE
Shield -1:	Al Foil
Braid Coverage:	128*0.12mm Al
Shield -2:	Al Foil
Jacket:	6.90±0.05mm PVC
Color:	White



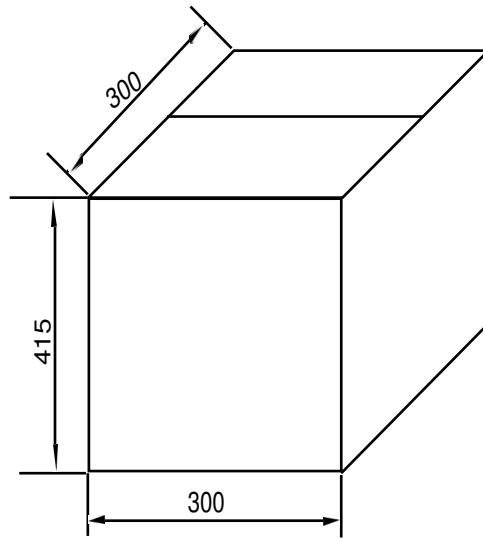
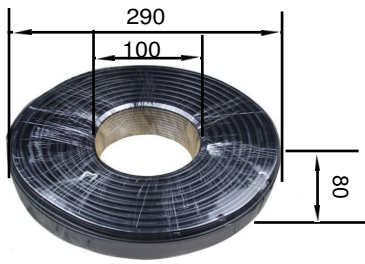
Characteristics

Sparker Test:	4000VAC
Impedance:	75±3 Ohm
Capacitance:	54±3pF/m
Velocity of Propagation:	85%
Return Loss:	20dB min (5-2300MHz)

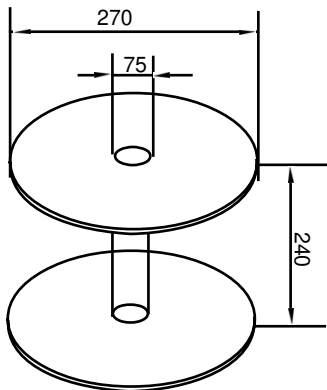
Attenuation

Frequency (MHz)	Attenuation [@68° F. (20° C.)]	
	Maximum (dB/100 ft.)	Maximum (dB/100 m)
5	0.58	1.9
50	1.5	4.9
100	2	6.5
200	2.8	9.2
400	4.1	13.6
700	5.6	18.4
900	6.2	20.3
1000	6.5	21.4
1450	8	26.2
1800	8.5	27.9
2100	9.5	31.1
2250	10	34
3000	11.4	37.5

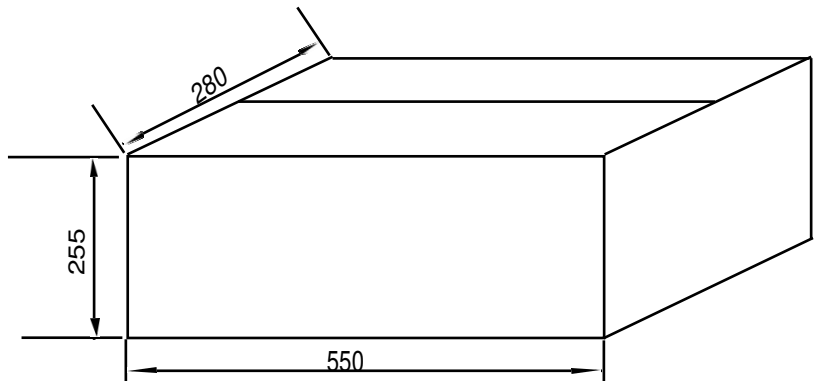
100M/Roll



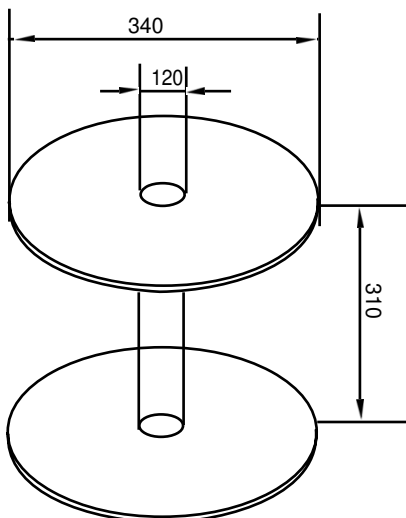
250M/DRUM



250g



500M/DRUM



500g

